

RSS-2-300WL Flow Meter

HIGH-PRECISION NON-CONTACT OPEN CHANNEL FLOW VELOCITY & LEVEL METER

Highlights

- Contactless flow measurement and surface velocity measurement
- Integrated discharge (flow) calculation
- RS-232, RS-485 Modbus, SDI-12, and analog 4-20 mA interfaces in all models
- Remote configuration of all instrument parameters through any digital communication interface
- Robust IP68 aluminum or stainless steel enclosure

Applications

- Early flood warning
- Monitoring of flow and irrigation channels
- Accurate discharge monitoring in rivers
- Flow tracking in salt and copper mine channels
- Sewage and waste water discharge measurement



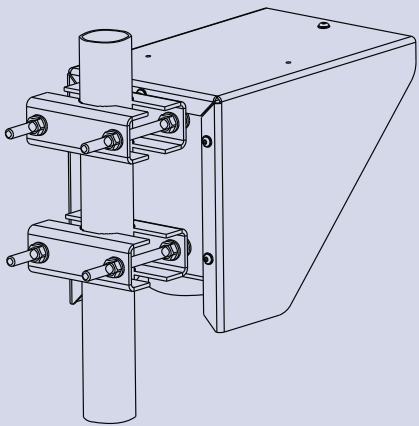
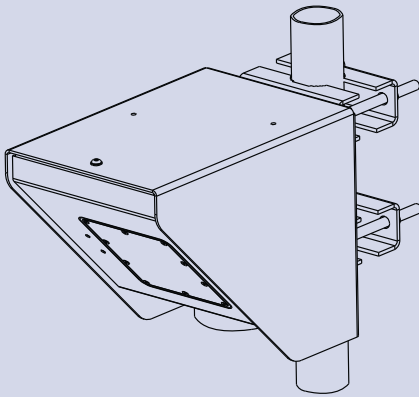
Product Description

The Geolux RSS-2-300WL has an integrated radar surface velocity and level meter for contactless measurements of surface flow velocity and water level. Contactless radar technology enables quick and simple sensor installation above the water surface with minimum maintenance.

Calculation of the total flow discharge is internally implemented within the instrument by combining surface velocity measurement, water level measurement, and a configured cross-section of

the river or channel. Defining the measurement parameters such as profile cross-section, material of the edges, location of the sensor above the water, and all other instrument settings can be easily set with the Geolux configuration application using any available communication interface.

Detailed Specifications



Detection Distance	15 m / 30 m / 35 m
Speed Range	0.02 m/s to 15 m/s / 0.02 m/s to 16 m/s
Speed Resolution	0.001 m/s
Speed Accuracy	1%
Level Resolution	0.5 mm
Level Accuracy	± 2 mm
Velocity Sensor Beam Width	Azimuth: 12° Elevation: 24°
Level Sensor Beam Width	Azimuth: 5° (± 2.5°) Elevation: 5° (± 2.5°)
Sampling Frequency	1 sps / 10 sps optional
IP Rating	IP68
Serial Interface	1 x serial RS-485 half-duplex 1 x serial RS-232 (two wire interface)
Serial Baud Rate	9600 bps to 115200 bps
Serial Protocols	GLX-NMEA, Modbus
Other Protocols	SDI-12
Analog Output	4-20 mA, programmable velocity, level or flow
Input Voltage	9 to 27 VDC
Power Consumption	1.3 W operational; 0.235 W standby
Maximal Current	< 750 mA
Temperature Range	-40 °C to +85 °C (without heating or coolers)
Enclosure Dimensions	150 mm x 200 mm x 250 mm

FCC & CE **APPROVED**

MADE IN **EU**

For more information, contact us:

Phone: +385 1 6701 241
E-mail: geolux@geolux.hr



www.geolux-radars.com