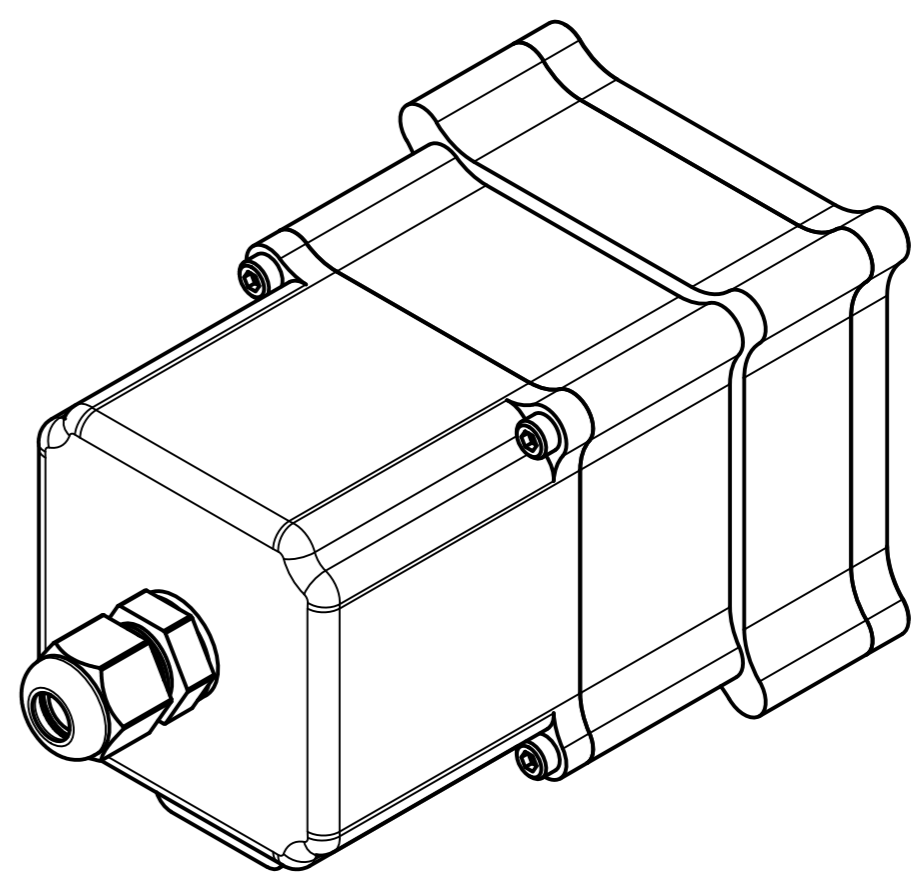
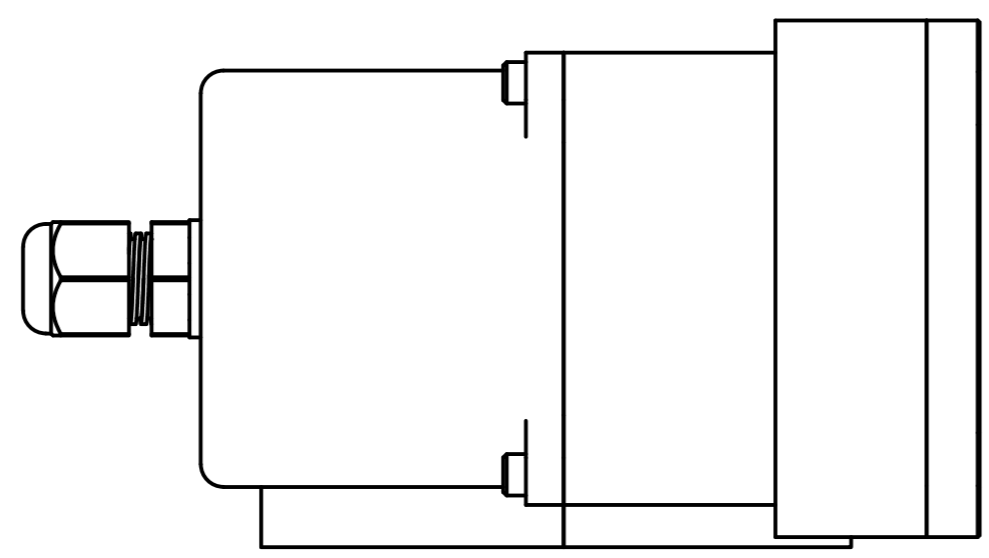
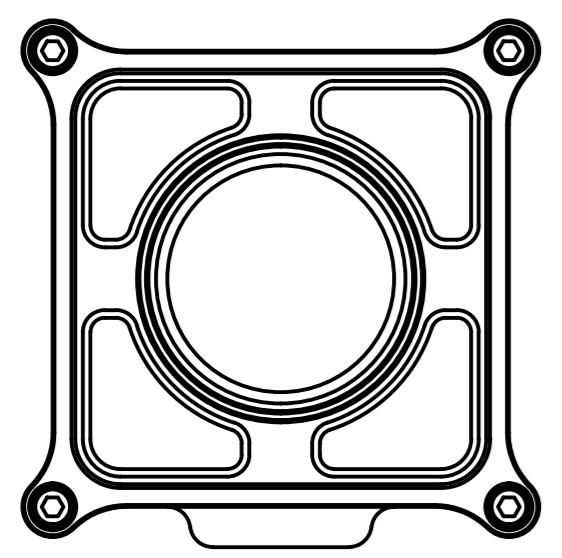


1 2 3 4 5 6 7 8 9 10 11 12

A

A

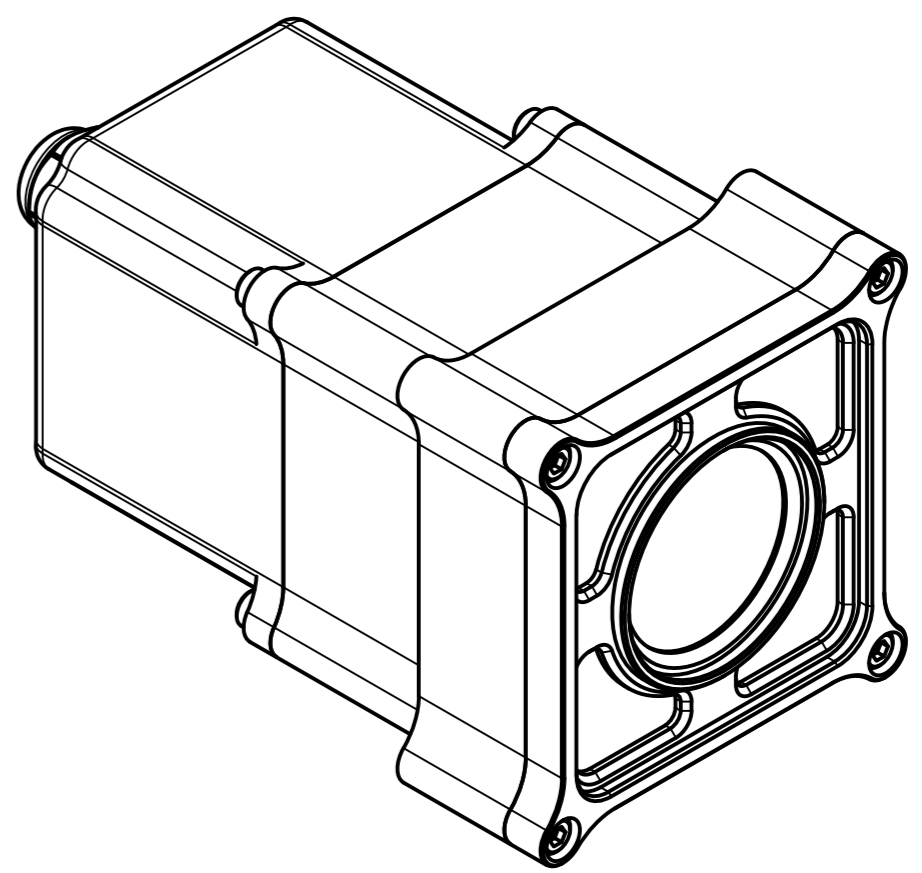
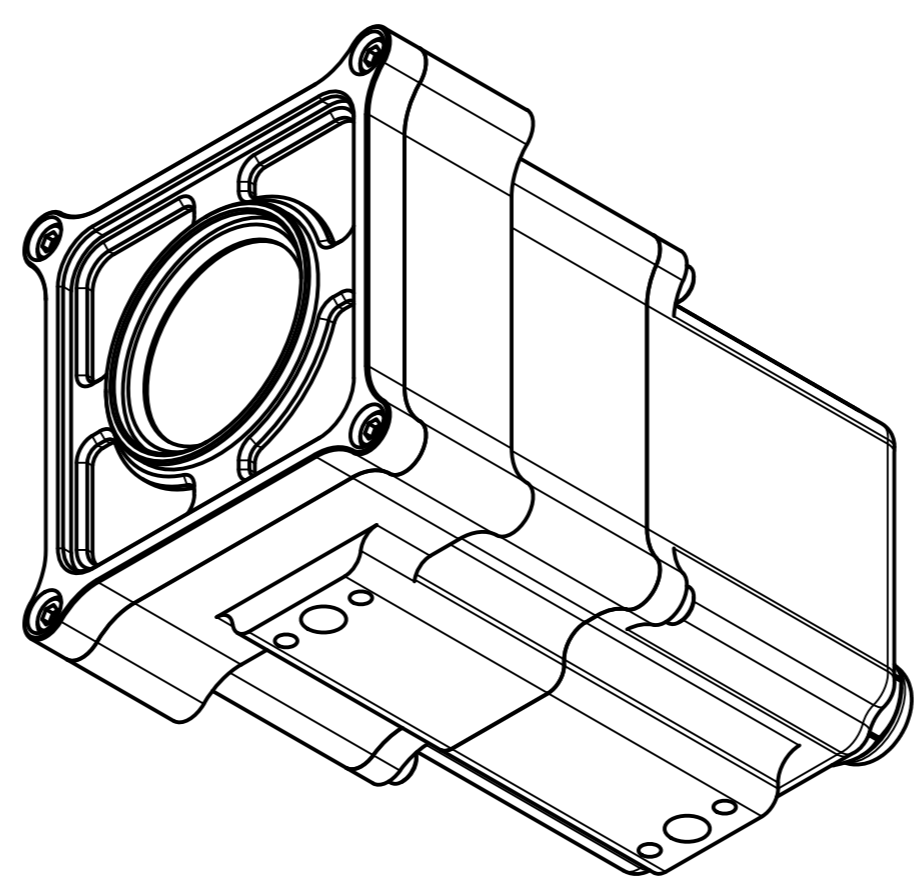
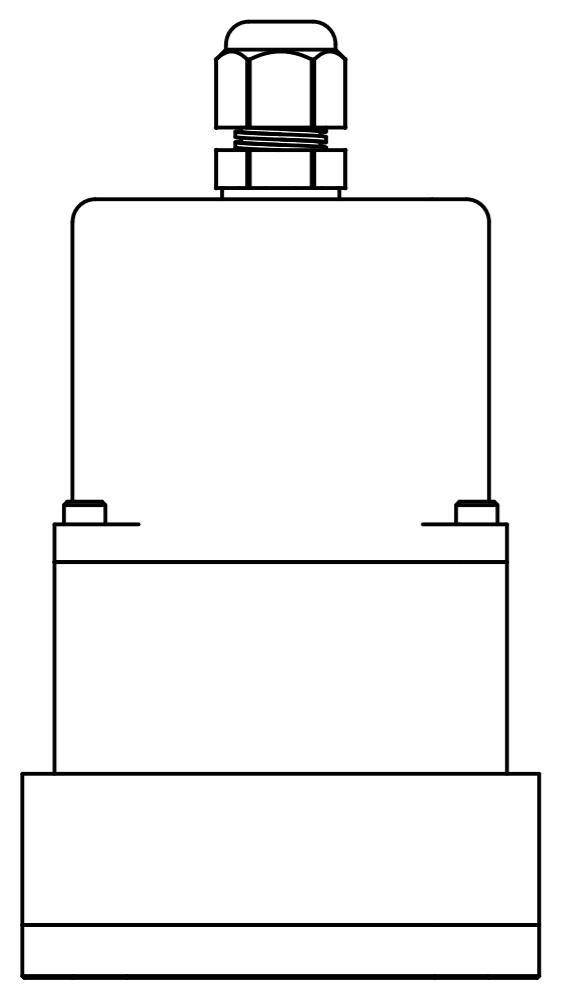


B

B

C

C



D

D

E

E

F

F

G

G

H

H

1 2 3 4 5 6 7 8 9 10 11 12

Dept.	Technical reference	Created by Tomislav Grubesa 5/18/2022	Approved by
		Document type	Document status
		Title HydroCam_RevD	DWG No.
		Rev.	Date of issue
		Sheet 1/1	