



Certificate of calibration

The measurements, the uncertainties with confidence probability and calibration methods are given on the following page and are part of the certificate. This certificate shall not be published or reproduced other than in full.

Certificate no. 136-33843

Page 1 of 10

Object Radar Doppler

Identification no.	012-0247	Interface	
Measuring range	0...15 m/s	Display Resolution	0.001
Manufacturer	Geolux	Type	RSS-2-300W

Client Geolux d.o.o., Zagreb

Last calibration First calibration

Remarks Firmware: 6.0.8
Angle: 30 deg
Averaging time: 15 s
Distance from water surface: 208 cm

Annex to Annex A

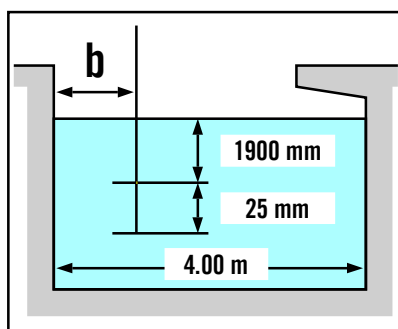
Date of issue 18.12.2019

Head of the Laboratory Dr. Marc de Huu

This certificate is consistent with Calibration and Measurement Capabilities (CMCs) that are included in Appendix C of the Mutual Recognition Arrangement (MRA) drawn up by the International Committee for Weights and Measures. Under the MRA, all participating institutes recognize the validity of each other's calibration certificates and measurement reports for the quantities, ranges and measurement uncertainties specified in Appendix C (for details see www.bipm.org).

Fact sheet

Calibr. apparatus



Attachment: Rail

Water temperature: 12.9 ± 0.5 °C

Measuring conditions Dead time: 0 s

Time for a partial measurement: 10 s

The dead time is the predetermined time needed by the system to stabilize itself after the reference velocity has been attained. The values, indicated in red, are measured values before the dead time was over. They are not used for the analysis. v-ref = reference velocity; U = Uncertainty of measurement 95% (see last page). D = eventually added document (electronically).

Measurement Results

Position b [mm]	Date	Start Time	No. of measure	v-ref [m/s]	Object tested		
					Display []	U []	U [%]
2690	18.12.2019	11:42:27	1	0.20010	0.2010	0.00231	1.15
2690	18.12.2019	13:29:54	1	0.20020	0.2010	0.00231	1.15
2690	18.12.2019	14:32:26	1	0.20020	0.2030	0.00231	1.14
2690	18.12.2019	14:01:23	1	0.20020	0.2340	0.00232	0.99
2690	18.12.2019	13:32:16	1	0.30020	0.2980	0.00234	0.79
2690	18.12.2019	11:49:49	1	0.30020	0.2990	0.00234	0.78
2690	18.12.2019	14:03:44	1	0.30020	0.3000	0.00234	0.78
2690	18.12.2019	14:34:48	1	0.30030	0.3060	0.00235	0.77
2690	18.12.2019	11:53:44	1	0.40030	0.3890	0.00238	0.61
2690	18.12.2019	13:34:46	1	0.40030	0.3970	0.00238	0.60
2690	18.12.2019	14:37:17	1	0.40040	0.3960	0.00238	0.60
2690	18.12.2019	14:06:14	1	0.40040	0.3960	0.00238	0.60
2690	18.12.2019	14:08:51	1	0.50050	0.4940	0.00241	0.49
2690	18.12.2019	13:37:22	1	0.50050	0.4950	0.00241	0.49
2690	18.12.2019	11:58:25	1	0.50050	0.4950	0.00241	0.49
2690	18.12.2019	14:39:54	1	0.50050	0.4970	0.00242	0.49
2690	18.12.2019	14:11:50	1	0.75080	0.7430	0.00251	0.34
2690	18.12.2019	12:01:18	1	0.75080	0.7430	0.00251	0.34
2690	18.12.2019	13:40:21	1	0.75080	0.7480	0.00251	0.34
2690	18.12.2019	14:42:54	1	0.75090	0.7420	0.00251	0.34
2690	18.12.2019	12:07:22	1	1.00070	0.9930	0.00260	0.26
2690	18.12.2019	14:14:59	1	1.00070	1.0000	0.00260	0.26
2690	18.12.2019	14:46:07	1	1.00080	0.9950	0.00260	0.26
2690	18.12.2019	13:43:29	1	1.00080	1.0030	0.00260	0.26
2690	18.12.2019	14:49:40	1	1.25120	1.2370	0.00269	0.22
2690	18.12.2019	13:57:31	1	1.25130	1.2530	0.00269	0.21

Measurement Results

Position b [mm]	Date	Start Time	No. of measure	v-ref [m/s]	Object tested		
					Display []	U []	U [%]
2690	18.12.2019	14:18:32	1	1.25130	1.2610	0.00270	0.21
2690	18.12.2019	12:10:48	1	1.25130	1.2860	0.00271	0.21
2690	18.12.2019	12:21:07	1	1.50100	1.4860	0.00278	0.19
2690	18.12.2019	14:53:35	1	1.50100	1.4920	0.00278	0.19
2690	18.12.2019	13:46:57	1	1.50100	1.4920	0.00278	0.19
2690	18.12.2019	14:22:26	1	1.50110	1.5200	0.00279	0.18
2690	18.12.2019	14:26:53	1	2.00000	1.9790	0.00297	0.15
2690	18.12.2019	13:51:16	1	2.00050	1.9770	0.00296	0.15
2690	18.12.2019	12:25:22	1	2.00070	1.9720	0.00296	0.15
2690	18.12.2019	14:57:57	1	2.00080	1.9930	0.00297	0.15